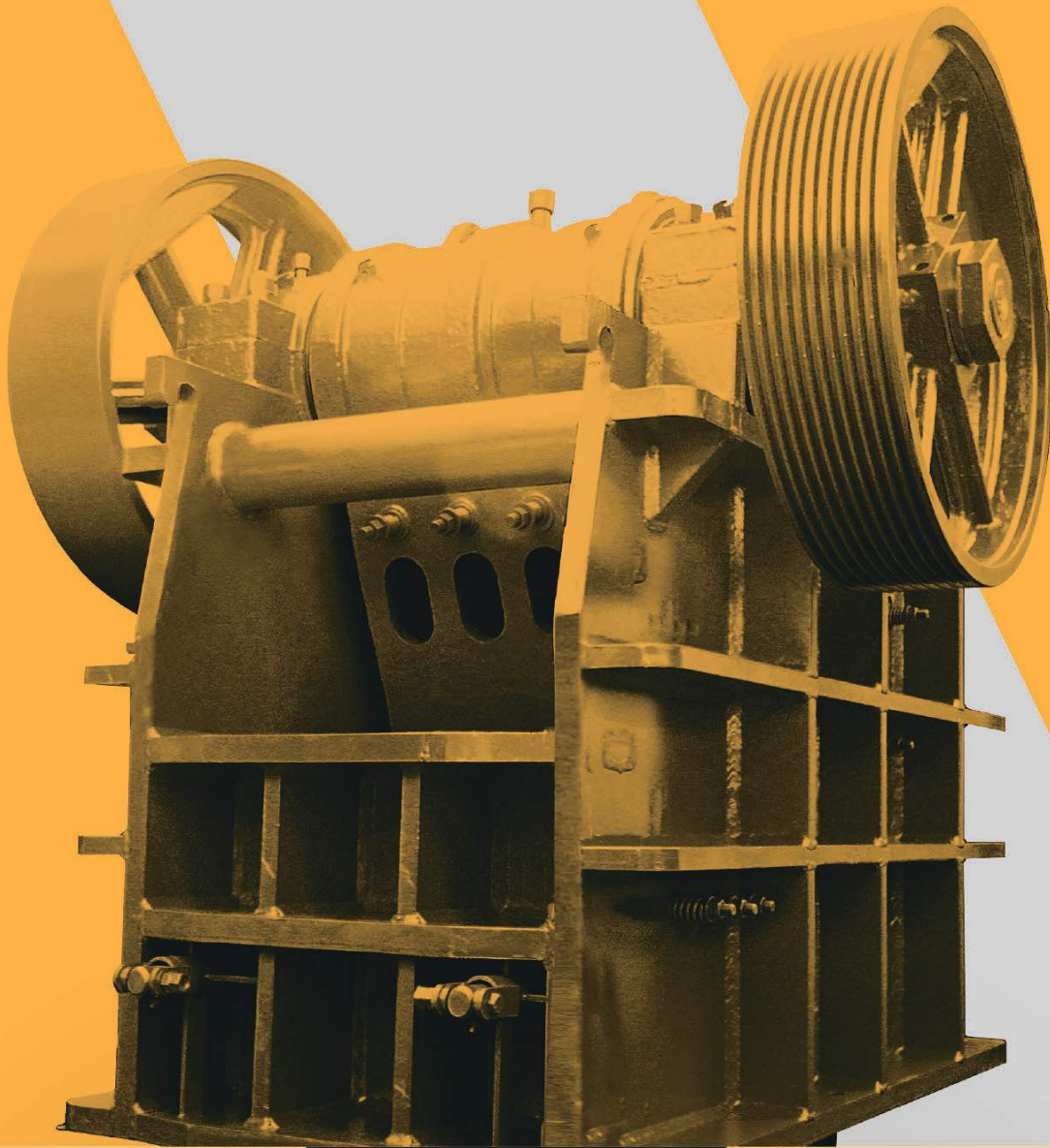


www.fong-chuan.com

JAW CRUSHER



FONG CHUAN
MACHINERY

■ ABOUT

**SINCE
1982'**

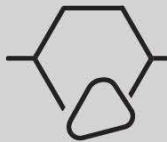
**COMPLETE STONE
CRUSHER PLANT
EQUIPMENT
AS WELL AS WASTE
RECYCLING EQUIPMENT.**



Supply



Crushing



Screening

Application

- ➔ Construction, building materials industry
- ➔ Mining, gravel industry
- ➔ Rock quarries, bark dust, topsoil manufacturers
- ➔ Resource Recycling, waste disposal treatment industry

COMPANY PROFILE

The service range of Fong Chuan Machinery Co., Ltd covers technical advisory, planning, design, manufacture, installation, maintenance, after-sale service and personnel training of complete stone crusher plant equipment as well as waste recycling equipment. For decades, the manufacture of our product takes a focus on engineering quality and production efficiency, and aims to bring more elaborate, ease as well as a lower consumption rate in the use and maintenance of the product. With a good will to help customers to reduce cost and promote productivity, the professional team of our company is well ready to provide specific solutions concerning crushing and screening on different application through an optimized design as well as manufacture/ production process.



JAW CRUSHER

INTRODUCTION

The design of the FongChuan Jaw Crusher Series takes much consideration in the products' economic benefits: The flying wheels works in an asymmetrical way to provide a powerful crushing; the crushing space is large enough that an optimal productivity can be ensured. Besides a guarantee in crushing quality and productivity, the FongChuan Jaw Crusher is also easy to use and its consumable parts are easy to replace. It is largely acclaimed in the market and now widely used in areas like sand and gravel aggregate screening, crushing work for resource recycling treatment, incinerator residue segregation, solid waste processing, and smelting by-product isolation and sorting of building materials for remanufacturing purpose.

Functions of the FongChuan Jaw Crushers

- Primary crushing operation;
- Secondary crushing operation;

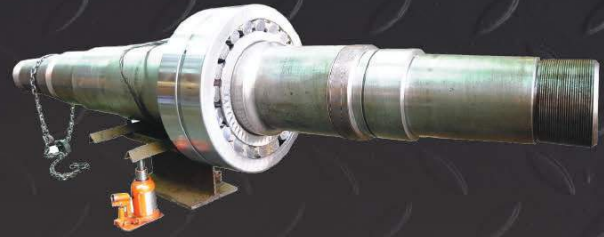
Benefits of the FongChuan Jaw Crushers

- Excellent productivity and high-quality product;
- Large and deep crushing space, no dead zone; acute angle in crushing action ensure increased capacity and production of feed;
- Superfine steel shafts ensure a powerful crushing;
- High-quality bearings imported from Japan ensure a smooth operation;
- Low cost for maintenance.

JAW CRUSHER

Main shaft

The outside of the jaw crusher body is made of carbon tool steel, the outstanding tensile strength and hardness of which ensure the crusher body has a vibration resistant firm structure.

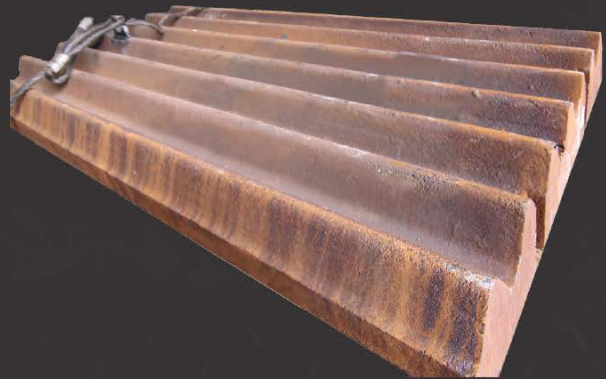


Japanese bearing

The internal main shafts are made of high tensile strength, big stretch Cr-Mo steel and are matched with high-quality bearings imported from Japan. While the crushing workload is guaranteed, the operation becomes more stable and smoother.

Jaw crushing plates

The jaw plate is firmly attached through a tenon design. It is made of high hardness anti-wearing high manganese steel to promote the crushing efficiency and further to increase the productivity.



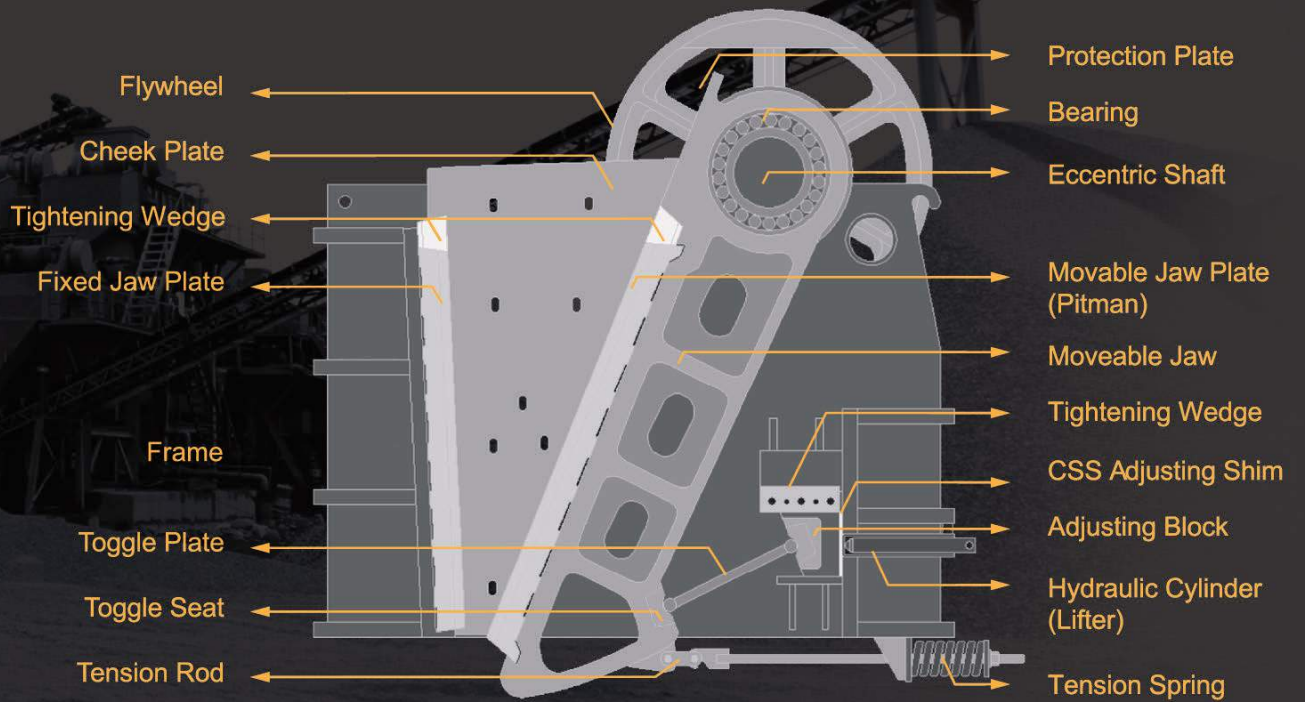
Jaw crushing plates

The crushing space for the incoming materials is roomy enough for large quantities of materials to be entered and crushed. The crushing action takes an acute angle so that a high precision in crushing can be achieved. In short, deep crushing chamber and no dead zone of the FongChuan Jaw Crusher ensure increased capacity and production of feed.

FULL FIGURE



Crusher



SPECIFICATIONS

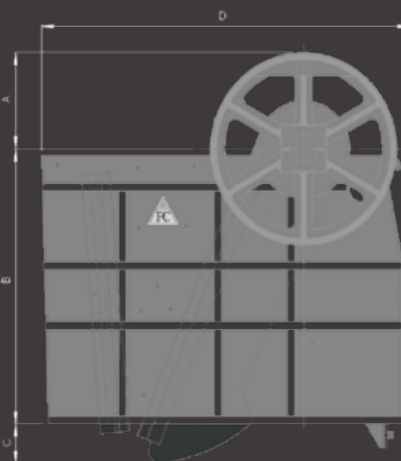
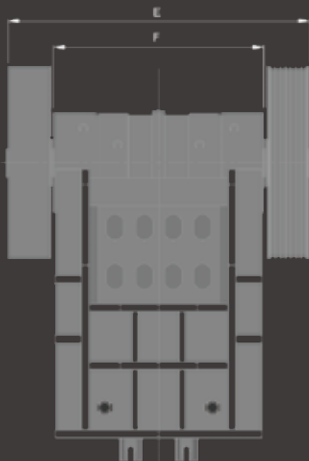
MODEL	Feed Opening (mm)	Recommended min discharge opening (mm)	Capacity(T/H) close-side discharge opening size (mm)														Motor Power		Rotating speed (R.P.M)	Weight (KG)	
			20	25	30	35	40	45	50	60	80	100	125	150	200	225	HP	P			
FCJS-4210	1050 x 250	30			40-55	45-60	50-75	55-85	60-90								75	6	350	8500	
FCJS-4212	1050 x 300	30			40-55	45-65	55-80	60-90	65-95								75	6	350	8500	
FCJS-5015	1300 x 300	30			20-35	35-50	50-65	65-75	75-85	85-95	95-105						100	6	300	11650	
FCJS-3015	750 x 375	50							45-60	50-65	60-75	70-80					75	6	300	7500	
FCJS-3624	900 x 600	80										125-165	145-185	170-220	215-285		100	6	300	15000	
FCJS-4032	1000 x 800	80										145-195	155-210	175-255	220-295	255-365	200	6	250	23000	
FCJS-4836	1220 x 900	100											240-310	295-370	345-435	410-525	450-590	300	8	220	42000
FCJS-4840	1220 x 1020	100											240-310	295-370	345-435	410-525	450-590	300	8	220	45000
FCJS-5432	1350 x 800	100											235-300	285-360	340-430	385-495	430-535	300	8	220	40000

Note: Technical data may change due the technical progress.
 Specifications and dimensions are subject to modification without notice.

OVERALL DIMENSIONS

Model	Dimensions(mm)					
	A	B	C	D	E	F
FCJS-4210	430	800	150	1750	2100	1450
FCJS-4212	430	800	150	1750	2100	1450
FCJS-5015	735	1190	220	1910	2298	1755
FCJS-3015	530	1100	150	1700	1750	1200
FCJS-3624	700	1550	200	2200	2050	1450
FCJS-4032	750	2100	250	2850	2350	1550
FCJS-4836	800	2400	330	3050	3200	1950
FCJS-4840	800	2400	330	3050	3200	1950
FCJS-5432	900	2100	400	2850	3050	2050

Note: Technical data may change due the technical progress.
 Specifications and dimensions are subject to modification without notice.





FONG CHUAN Machinery Co., Ltd

No 5.West Sec., Gongye 6th Rd. Industrial Park
Pingtung City Pingtung County,900 Taiwan

T (08)752-6678 (08)752-6827 (08)755-1103

F (08)753-7005

E info@fong-chuan.com

